

TWO-PIECE SLIP FRAME

Karpen Steel Custom Doors & Frames' two-piece slip frame is an ideal substitute for the traditional knock-down borrowed light application. With this two-piece slip frame, any existing rough opening can be wrapped with a welded 4-sided frame. These are made standard as double rabbet, optional single rabbet, or cased open profiles.

To calculate the overall borrowed light frame dimensions:

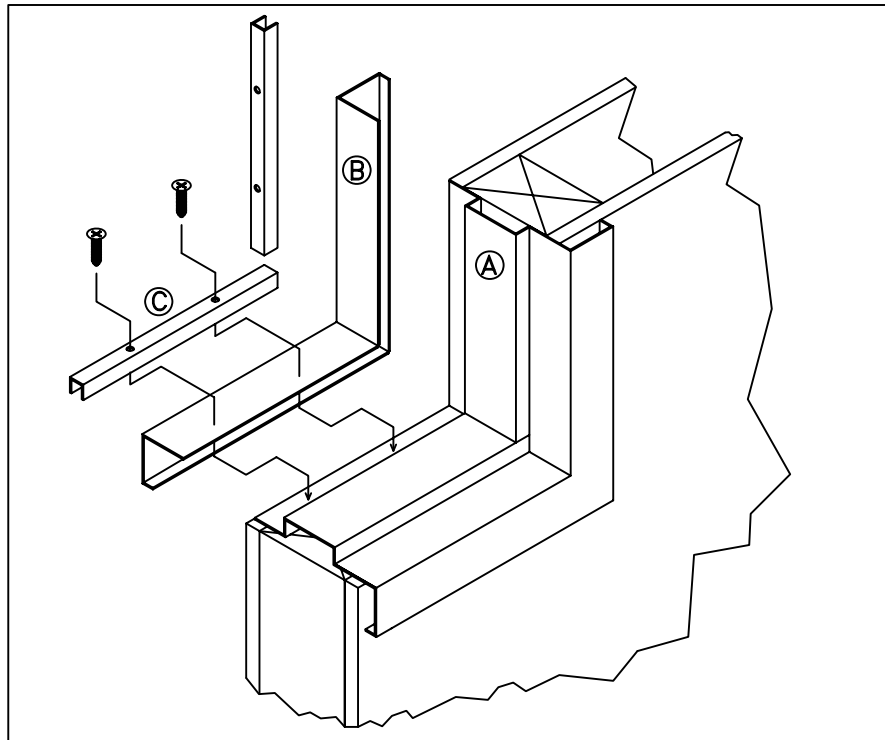
Width: Add 2 1/2" to the rough opening width.
 Height: Add 3 1/2" to the rough opening height.

Note: Frames are typically made with 2" faces. The calculations will vary with different face dimensions and change for lead-lined applications.

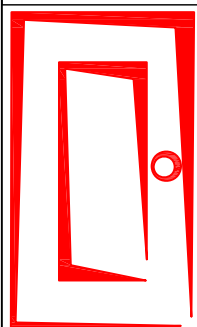
Example: Rough Opening Size: 24" x 48"
 Width: 24" + 2 1/2" = 2'-2 1/2" OA
 Height: 48" + 3 1/2" = 4'-3 1/2" OA

To order you may state either rough opening, the overall size required, or the glass opening size.

INSTALLATION INSTRUCTIONS:



1. Mount larger half of frame (A) in existing opening on opposite side of wall than glass side.
2. Slide smaller half of frame (B) onto the glass side of frame. Piece (B) will overlap piece (A).
3. To hold frame together before glazing, use clamps to apply pressure from both sides of the wall. Then use at least one pop rivet per head, sill, and jambs in the overlapping rabbet to hold the frame in opening. Keep track of glass moulding and package of screws.
4. When ready to mount glass, moulding (C) will secure the glass while the sheet metal screws for the bead will also penetrate the overlap of (A) and (B) thus holding the unit into opening.



Karpen Steel Custom Doors & Frames	Title:		
181 Reems Creek Rd Weaverville NC 28787 www.karpensteel.com	Description: TWO-PIECE SLIP FRAME INSTALLATION DETAIL		
Tel: 828-645-4821 Fax: 800-851-2131	File name: CUFT0001		
Drawn by: B Blevins	Rev. Date: 16APRIL01	Revision A	