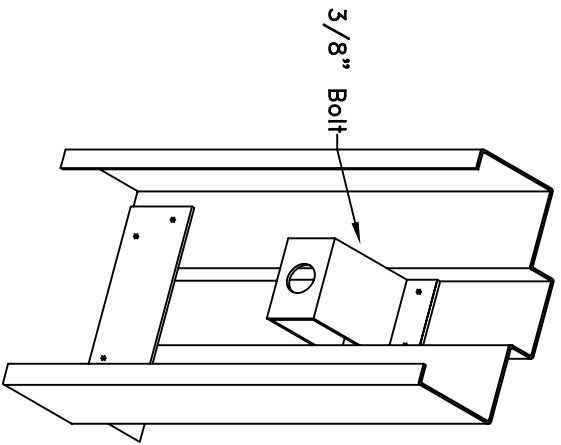
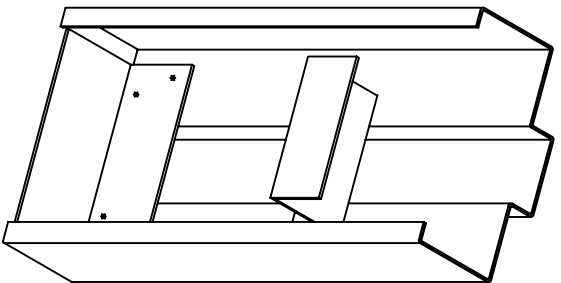


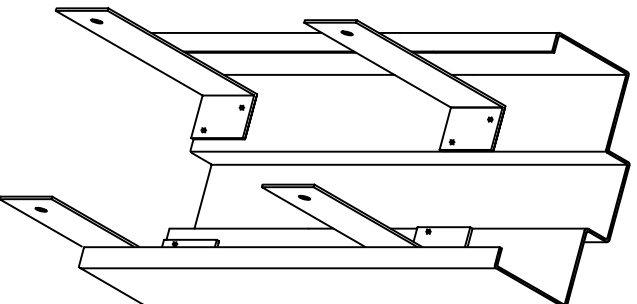
**Bolts Supplied with UL  
Labeled Frames**



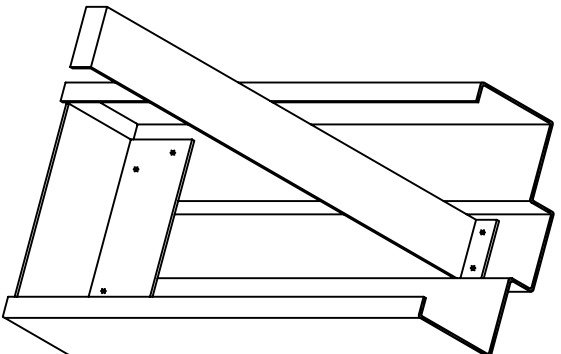
Existing Opening Anchor



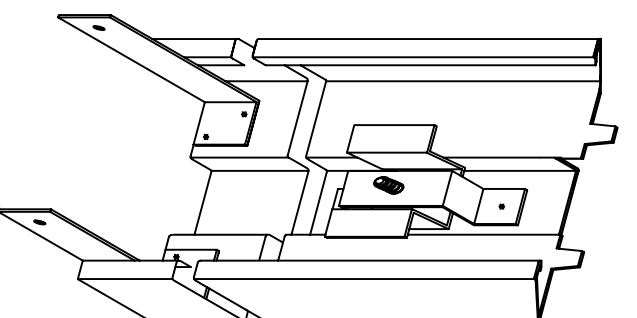
Steel Stud Anchor



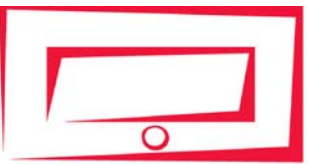
Wood Stud Anchor



Masonry Strap Anchor



Compression Anchor



**Karpen Steel**  
**Custom Doors & Frames**  
 181 Reems Creek Rd  
 Weaverville NC 28787  
 www.karpensteel.com

Tel: 828-645-4821  
 Fax: 800-851-2131

Revised by: **E Henken**

Customer name:

Job name:

Description:

**Frame Anchors**

File name:

**CUFM0004**

REV

Revision Date: **24MAY04**

Sheet