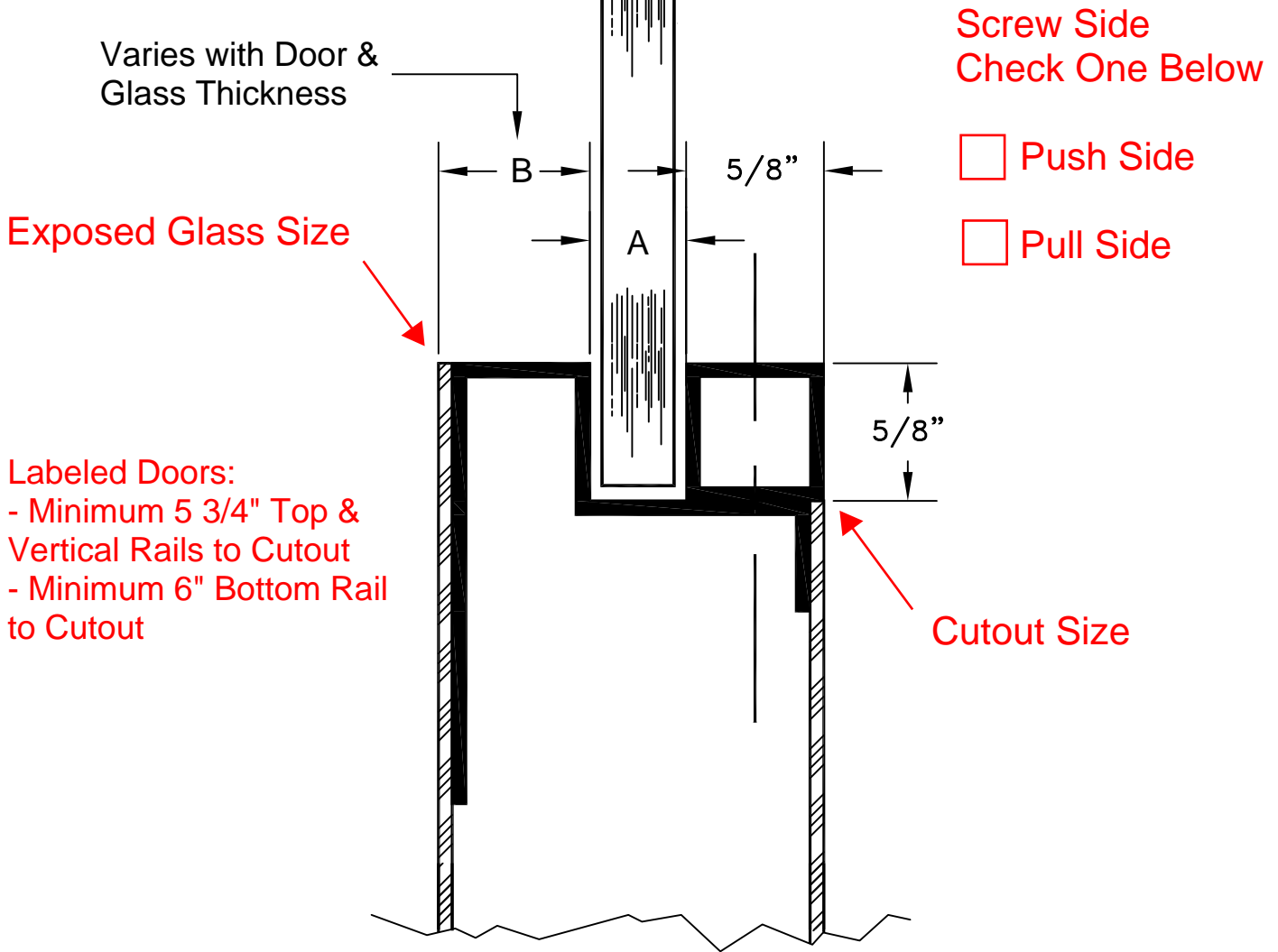


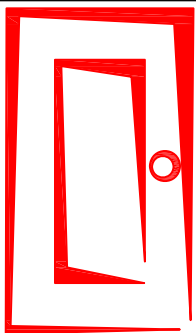
Door Thickness	Max Glass
1 3/4"	5/8"
1 3/8"	1/4"
2"	7/8"

Door Thickness _____"
Glass Thickness _____"



Notes:

- Cut Glass = Door Cut Out Less 1/4"
- Exposed Glass = Door Cut Out Less 1 1/4"
- Glazing By Others
- A = Glass Thickness + 1/8"



<p>Karpen Steel Custom Doors & Frames</p> <p>181 Reems Creek Rd Weaverville NC 28787 www.karpensteel.com</p> <p>Tel: 828-645-4821 Fax: 800-851-2131</p> <p>Drawn/Revised by: D SMITH</p>	<p>Title: Flush Vision Lite Kit with 5/8" X 5/8" Tube Moulding</p>
	<p>Description:</p>
	<p>File name: CUDV0002</p>
	<p>Rev. Date: 20MAY09</p> <p>Revision</p>