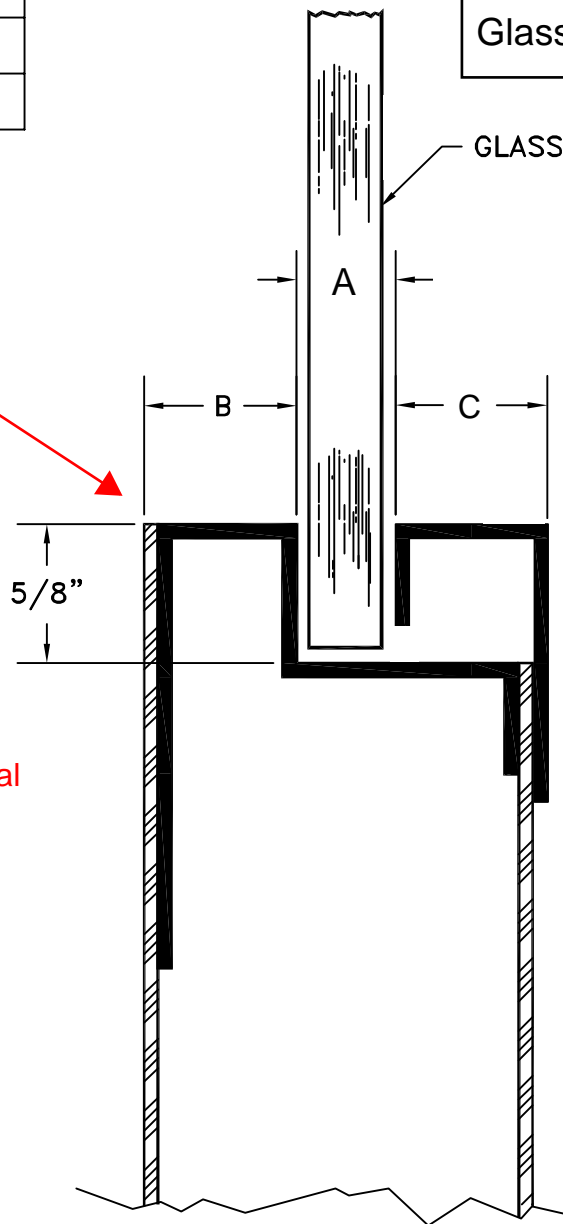


Door Thickness	Max Glass
1 3/4"	5/8"
1 3/8"	1/4"
2"	7/8"

Door Thickness _____"
Glass Thickness _____"

Exposed Glass Size



Screw Side
Check One Below

Push Side

Pull Side

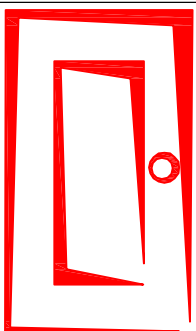
Cutout Size

Labeled Doors:

- Minimum 5 3/4" Top & Vertical Rails To Cutout
- Minimum 6" Bottom Rail to Cutout

Notes:

- Cut Glass = Door Cut Out Less 1/4"
- Exposed Glass = Door Cut Out Less 1 1/4"
- Glazing By Others
- A = Glass Thickness + 1/8"
- C is 1/16" Wider than B



	<p>Karpen Steel Custom Doors & Frames</p>	<p>Title: Flush One Side Vision Lite Kite with Karpen Steel Low Profile Kit Opposite</p>	
	<p>181 Reems Creek Rd Weaverville NC 28787 www.karpensteel.com</p>	<p>Description:</p>	
	<p>Tel: 828-645-4821 Fax: 800-851-2131</p>	<p>File name:</p>	<p>CUDV0008</p>
	<p>Drawn/Revised by: D SMITH</p>	<p>Rev. Date:</p>	<p>27MAY09</p>