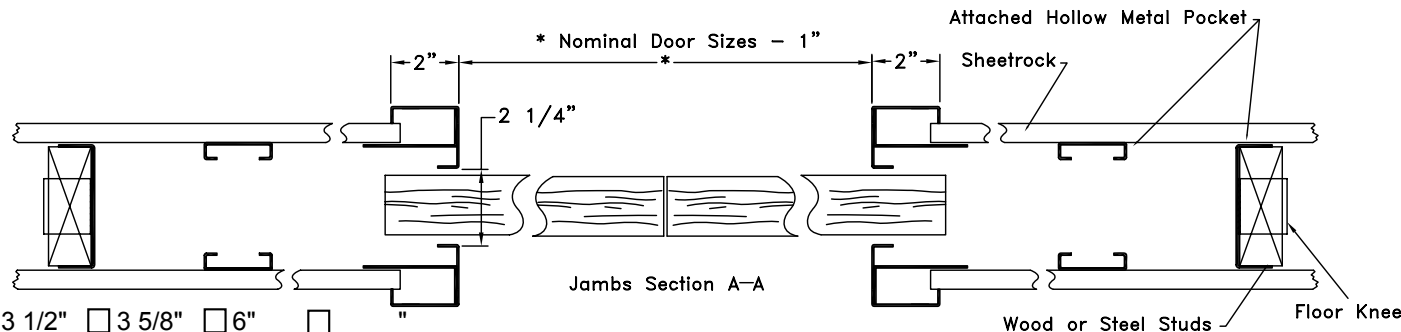
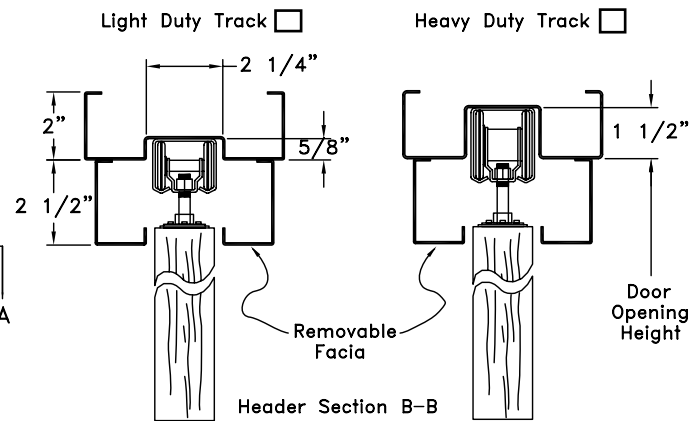


Track Manufacturer \_\_\_\_\_ Model \_\_\_\_\_



JW \_\_\_\_\_" Actual Stud Size:  3 1/2"  3 5/8"  6"  \_\_\_\_\_"

**NOTES:**

- Minimum Jamb Width is 4 1/2"
- 16 Gauge, CRS, Standard
- For Single or Double Sliding Pocket Doors
- Attached Hollow Metal Pocket(s) Supplied With Frame
- Track By Others



Karpen Steel  
 Custom Doors & Frames  
 181 Reems Creek Rd  
 Weaverville NC 28787  
 www.karpensteel.com

Tel: 828-645-4821  
 Fax: 800-851-2131

Revised by:  
**R S Smith**

Customer name:

Job name:

Description: **Double Pocket Frame with Attached Pockets**

File name:

**CUFK0005**

REV

Revision Date:

**02Nov10**

Sheet