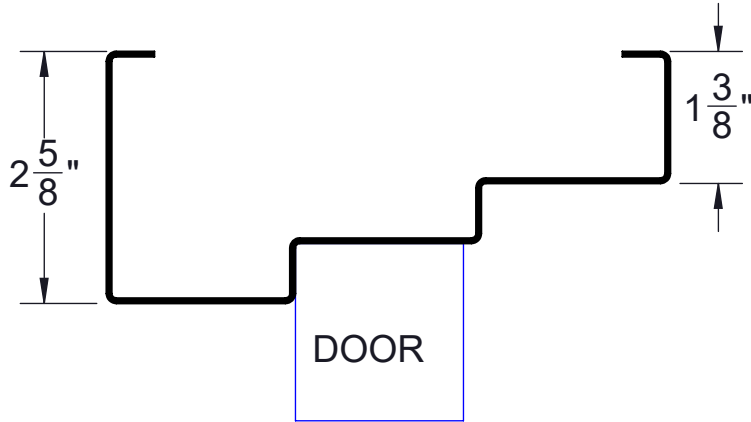
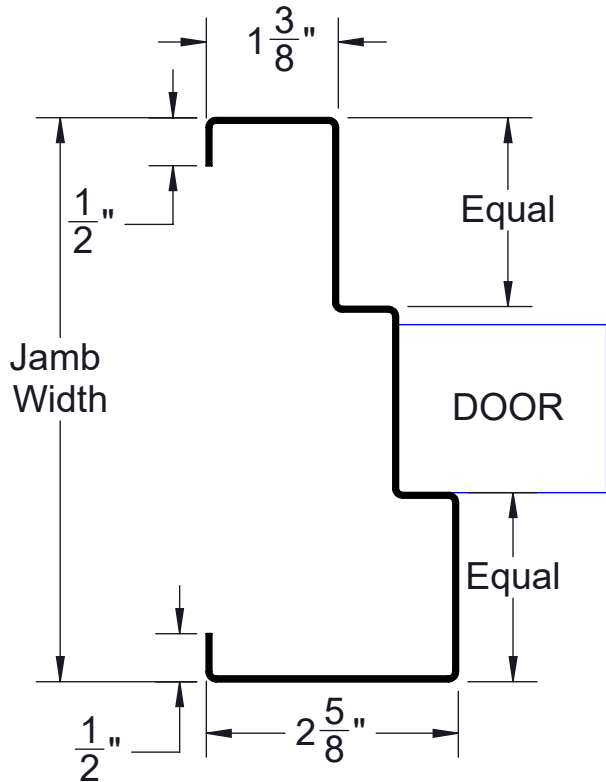


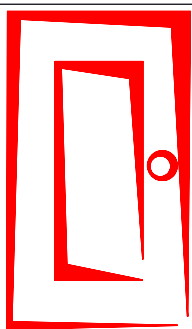
Standard Head Profile:
Welded Only
Labeled & Non-labeled



Head Profile:
Required for KD Labeled or Non-Labeled
Optional Welded Labeled or Non-Labeled



Typical Double Egress Profile/Jambs



<p>Karpen Steel Custom Doors & Frames</p> <p>181 Reems Creek Rd Weaverville NC 28787 www.karpensteel.com</p> <p>Tel: 828-645-4821 Fax: 800-851-2131</p> <p>Drawn/Revised by: CPhillips</p>	Customer:			
	Job Name:			
	Description:	DOUBLE EGRESS PROFILE TYPICAL JAMB AND HEAD		
	File name:	W:\dwg\cufp0003\cufp0003		
	Date:	23OCT19	Revision	2
			Page	1