

KARPEN STEEL
CUSTOM DOORS & FRAMES
 www.karpénsteel.com
 PHONE: 828-645-4821
 FAX: 800-851-2131

DATE _____ PAGE _____
DOOR **QUOTE** **ORDER**

SHIP TO: _____
 SAME

COMPANY: _____
 BY: _____ FAX#: _____
 PO # _____
 JOB ID: _____

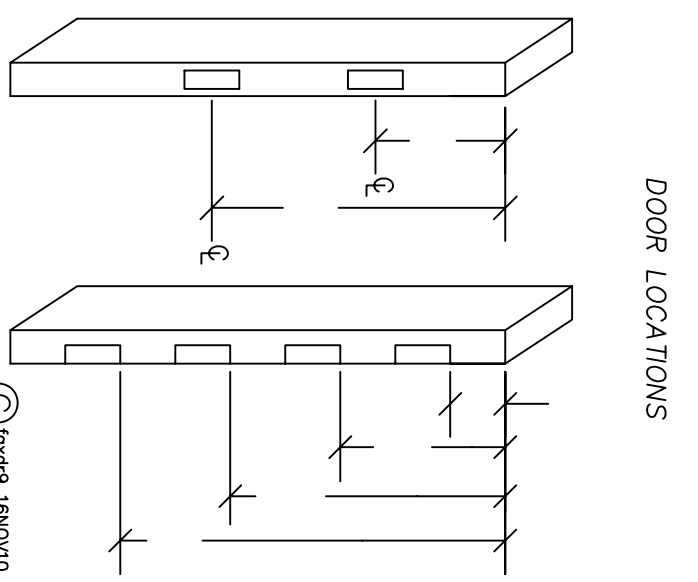
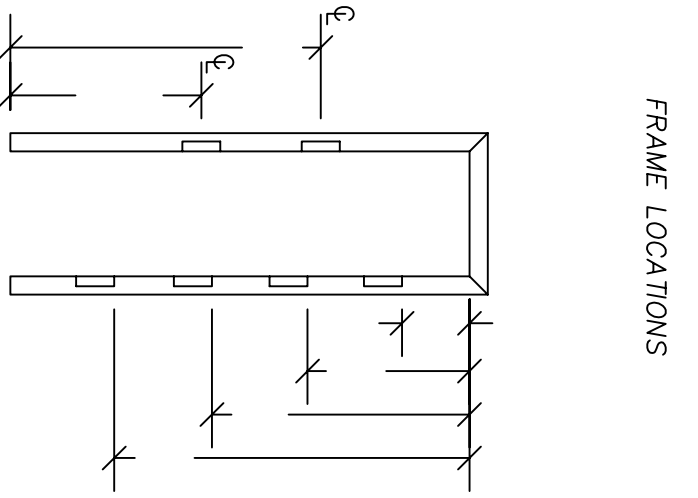
JOB SITE _____
 CONTACT / PHONE _____

- | | |
|---------------------------------------|---|
| <input type="checkbox"/> 18 GA | <input type="checkbox"/> VERT STL STIFFENED |
| <input type="checkbox"/> 16 GA | <input type="checkbox"/> POLYSTYRENE CORE |
| <input type="checkbox"/> 14 GA | <input type="checkbox"/> TEMPERATURE RISE |
| <input type="checkbox"/> 12 GA | <input type="checkbox"/> LEAD LINED |
| <input type="checkbox"/> CRS/HRPO | <input type="checkbox"/> CLOSED TOP |
| <input type="checkbox"/> A60 GALV | <input type="checkbox"/> CLOSED BOTTOM |
| <input type="checkbox"/> WOOD GRAINED | <input type="checkbox"/> UNDERCUT |
| <input type="checkbox"/> 1 3/4" STD | <input type="checkbox"/> 3/4" STANDARD |
| <input type="checkbox"/> 1 3/8" | <input type="checkbox"/> BEVELED EDGES STD |
| <input type="checkbox"/> 2" | <input type="checkbox"/> CLOSER REINF STD |

QUANTITY	HAND	NET DOOR SIZE		HINGES	QTY	SIZE	LOCK	ACTIVE LEAF		INACTIVE		SPECIAL HARDWARE OR OTHER INFORMATION
		WIDTH	HEIGHT					F. BOLTS & STRIKES	UL LABEL TAG #			

- HINGES**
- STD WT
 HVY WT
 SPEC
 BACKSET
 1/4" STANDARD
- HEIGHT**
- AMWELD
 CECCO
 CURRIES
 KEWANEE
 MESKER
 PIONEER
 PREMIER
 REPUBLIC
 STEELCRAFT
 5-10 EQUAL
- FLUSH BOLT
 12 24 36 TOP

 12 BOTTOM



- TOP BOTTOM**
- SIZE CUTOUT EXPOSED
- X Cutout Only
- X Low Profile VL Kit
- X Low Profile VL Kit
- X Flush Kit
- Glazing Thickness 1/4" Standard
- Specify Other Thickness _____
- X Sight Proof Louver
- X Louver
- TOP LOCATION**
- 60" Centerline AFF
- Center Horizontally
- Top Rail _____ " Lock Edge _____ "
- Dimensions to Cutout Exposed Glass
- BOTTOM LOCATION**
- Center Horizontally
- Bottom Rail _____ "
- Dimensions to Cutout Exposed Glass

© faxd'9 16NOV10